

Thermal Transfer Overprinting

Designed for wide format printing applications, the SmartDate X65-128 delivers high-resolution coding on flexible film packaging as fast as 400 packs per minute. Its printhead characteristics make it ideal for wide messages such as ingredient and nutritional coding. Its fully intuitive 10.1" user interface makes daily operations easy and straightforward while providing the most valuable information you need to optimise and improve your Overall Equipment Effectiveness (OEE) through MI Sigma reporting.

High-performance printing

- Delivers extended performance**
 Up to 128 mm x 150 mm printing area* capacity delivers twice the amount of variable print versus a standard coder thus reducing costs.
- Drives efficiency**
 Minimises time and effort by printing multiple codes on multi-lane packaging lines on demand, quickly and efficiently.
- Ensures code quality**
 Automatic printhead setup optimises printhead lifetime and allows for dead-dot monitoring.
- Achieves superior printing speeds**
 Print speed can be set from 10 mm to 700 mm per second allowing for more than 400 printed packs per minute at 300 dpi.



A 10.1" colour user interface offers a fully intuitive user experience to provide simple operation in just a few clicks.

Enhanced SmartDate experience

- Optimised tracking of OEE data**
 Coder can be configured to monitor your 5 most important production metrics directly from your home screen e.g., pack rate, throughput, availability.
- Tutorials to facilitate daily activities**
 Animated help and 'how to' tutorials provide guidance on setup and daily maintenance procedures to ensure consistent print quality.
- Profile configurator for error-free operation**
 Configurable profile password function (operator, supervisor and engineer) manages access and limits human-related errors.



Ideal for long ingredient and nutritional fact coding.

Unmatched and cost-effective reliability

- Zero preventive maintenance**
 Robust direct ribbon drive and cassette design contain no wear parts.
- All-in-one printer for enhanced flexibility**
 Both intermittent and continuous configurations are available on the same coder.
- Up to 15%** more codes per roll**
 Large choice of ribbon rolls based on your packaging type and needs.



Three ribbon types available: SmartDate Xtra, SmartDate Xceed and SmartDate Xpert.

**Compared to other competitive models.

SmartDate X65-128 - Specifications

Print features

- Print speed:
 - Intermittent: up to 700 mm/s
 - Continuous: 10 to 700 mm/s
- Print area:
 - Max: Intermittent: 128 mm x 75 mm
 - Max: Continuous: 128 mm x 150 mm*
- Print features:
 - Automatic printhead setup
 - Detect: Dead-dot detection
 - Quick change print head
 - Combined intermittent and continuous printing
 - Easily change from left to right hand with no additional parts
 - Gap between prints: 0.5 mm
 - Automatic shift codes and serial numbers
 - Multiple variable user input fields with alphanumeric texts
 - High-pack-rate mode
- Ribbon-saving mode: Radial ribbon save, Interlaced mode, Radial mode 1, Radial mode 2, Radial interlaced, Whitespace, Radial whitespace, Step advance
- Print specifications: Full TrueType font support, including non-Roman characters and symbols. Printing of real-time clock, dates and auto-updating best before dates, barcodes: ITF, Code 39, Code 128, EAN 128, EAN 8, EAN 13, UPC A, UPC E, RSS linear, PDF 417, GS1 DataMatrix, QR and Composite RSS barcodes support

Operations

- User interface: 10.1" full colour 1024 x 600 touch screen for message selection, variable data entry, diagnostics and system setup
- MI Sigma functionality
- Advanced health and availability monitoring
- Configurable user home screen
- Animated help tutorials: ribbon fitting, printhead cleaning, printhead replacing
- Simple print adjust and image adjust
- Master/slave function to allow master control for up to 7 slaves
- Configurable password protection capability
- WYSIWYG print preview of printed message, real-time display of remaining print capacity expressed in hours and number of prints
- Full diagnostics (pack rate, speed)
- Robust LED status indicators on the printer
- Webbing diagram for fast ribbon changes
- Hardware interface: Inputs: "print go" and 1 configurable input
Outputs: fault, warning, and 2 configurable outputs
- Software interface: USB for downloading images, settings and data files.
RS232, Ethernet communications standard. Communications protocols for PCs, PLC and packaging machines, including full remote control web server

Other characteristics

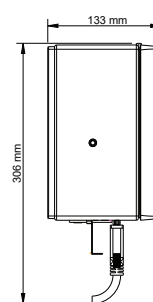
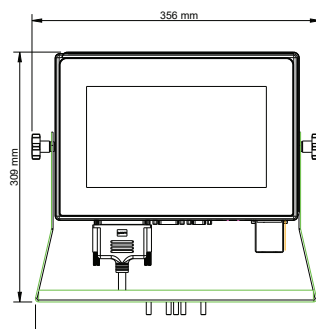
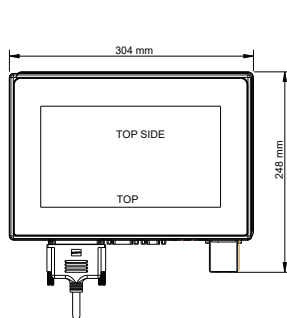
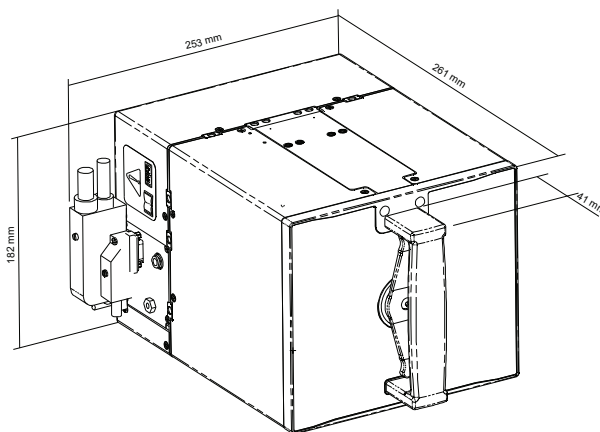
- Supplies: thermal transfer ribbon available in a variety of grades and colors
- Maximum ribbon length: up to 1100 m
- Minimum ribbon width: 55 mm
- Maximum ribbon width: 130 mm
- Weight: Printer: 10.2 kg, Colour controller: 4.8 kg
- Electrical power supply: 90 – 264 V with automatic switching; frequency 47/63 Hz; power 150 VA
- Air supply: 6 bar/90 psi (maximum) dry, uncontaminated
- Air consumption: down to 0.4 ml/print at 2.5 bar
- Operating temperature range: 0 to 40°C
- Humidity: 10% to 90% non-condensing

Optional accessories

- Promotional coding
- IP protection option suitable for pressured water cleaning
- WEB Browser and VNC support
- Mounting bracket
- Encoders
- IP protection kit for installed SmartDate X65-128

Software

- Included, CoLOS® Free 6.0 for design of simple messages



We reserve the right to amend the design and/or specifications of our products without notice.
©2019 Markem-Imaje Corporation. All rights reserved

MARKEM-IMAJE LTD
Brightgate House,
Brightgate Way, Trafford Park,
MANCHESTER, M32 0TB
United Kingdom

Tel: 0161 864 8111
Fax: 0161 864 8150



markem·imaje
a **DOVER** company

To learn more,
visit www.markem-imaje.co.uk

